



TECHNICAL DATA AND INFORMATION



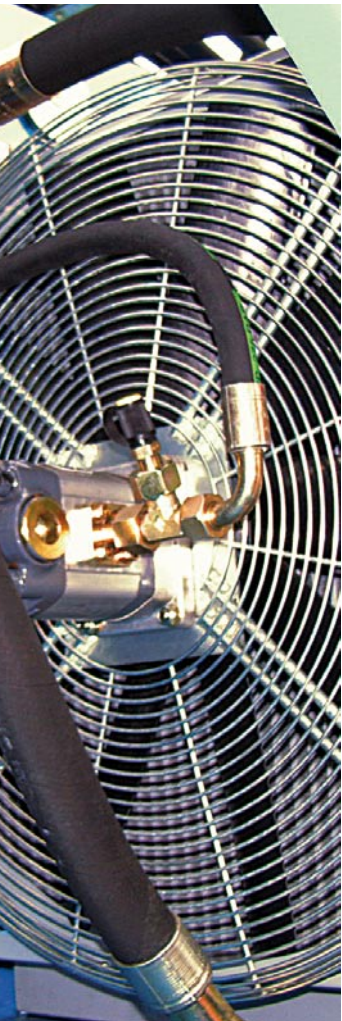
-  114 kW/152 hp
-  23.5 - 25 t
-  up to 12 m



MHL335

SCRAP RECYCLING MACHINE

TECHNICAL DATA MHL335



OPERATING WEIGHT

23.5 - 25t



DIESEL ENGINE

MANUFACTURER AND MODEL	Deutz TCD 2012 L06 2V
DESIGN	6-cylinder inline
ENGINE CONTROL	EMR III
TYPE	4-stroke diesel, common rail direct injection, turbo-charger charge air cooling
ENGINE OUTPUT	114 kW/153 hp
NOMINAL SPEED	2000 min ⁻¹
DISPLACEMENT	6.0 liters
COOLING SYSTEM	Liquid intercooling with temperature-controlled fan speed
EMISSION STANDARDS	COM III and EPA Tier III
AIR FILTER DESIGN	Two-stage filter with safety valve
FUEL CAPACITY (USABLE)	300 l



ELECTRICAL SYSTEM

OPERATING VOLTAGE	24 V
BATTERIES	2 x 12 V / 100 Ah / 760 A (in accordance with EN)
LIGHTING SET	1 x H3 floodlight on upper carriage, 1 x H3 floodlight on cab floor, turn signal and rear side-marker lamps
OPTION	Magnet system 13 kW



TRAVEL DRIVE

	Hydrostatic drive through infinitely variable axial piston motor and directly mounted travel brake valves, two-speed shift gear, 4-wheel drive
TRAVEL SPEED 1ST GEAR	max. 5 km/h (3.1 mph)
TRAVEL SPEED 2ND GEAR	max. 20 km/h (12.4 mph)
GRADEABILITY	max. 45%
TURNING RADIUS	8.2 m



SWING SYSTEM

RING GEAR	Internally toothed ball ring gear (double row)
DRIVE	Two-stage planetary gear with integrated multi-disc brake
UPPER CARRIAGE SWING SPEED	Infinitely variable from 0 - 8 min ⁻¹
PIVOT BRAKE	Electrically operated
MAX. PIVOT TORQUE	49 kNm



UNDERCARRIAGE

FRONT AXLE	Planetary drive axle with integrated drum brake, rigidly mounted, max. steering angle: 27°
REAR AXLE	Oscillating planetary drive rear axle with integrated drum brake and selectable oscillating axle lock
STABILIZERS	4-point stabilizers
TIRES	Solid rubber, elastic tires 8-fold 10.00 - 20



BRAKE SYSTEM

SERVICE BRAKE	Hydraulic single-circuit braking system acting on all four wheel pairs
PARKING BRAKE	Electrically operated disc brake at transmission, acting on both front and rear axle



HYDRAULIC SYSTEM

	REXROTH mobile hydraulic system with load limit control and fuel-saving power demand control. Separate oil cooler, temperature-controlled fan speed. Hydraulic oil filter: filter elements integrated in the oil tank; maintenance interval: 3,000 operating hrs. Central lubrication system.
MAX. PUMP CAPACITY	380 l/min
MAX. OPERATING PRESSURE	320/360 bar
HYDRAULIC OIL TANK	340 l



OPERATOR'S CAB

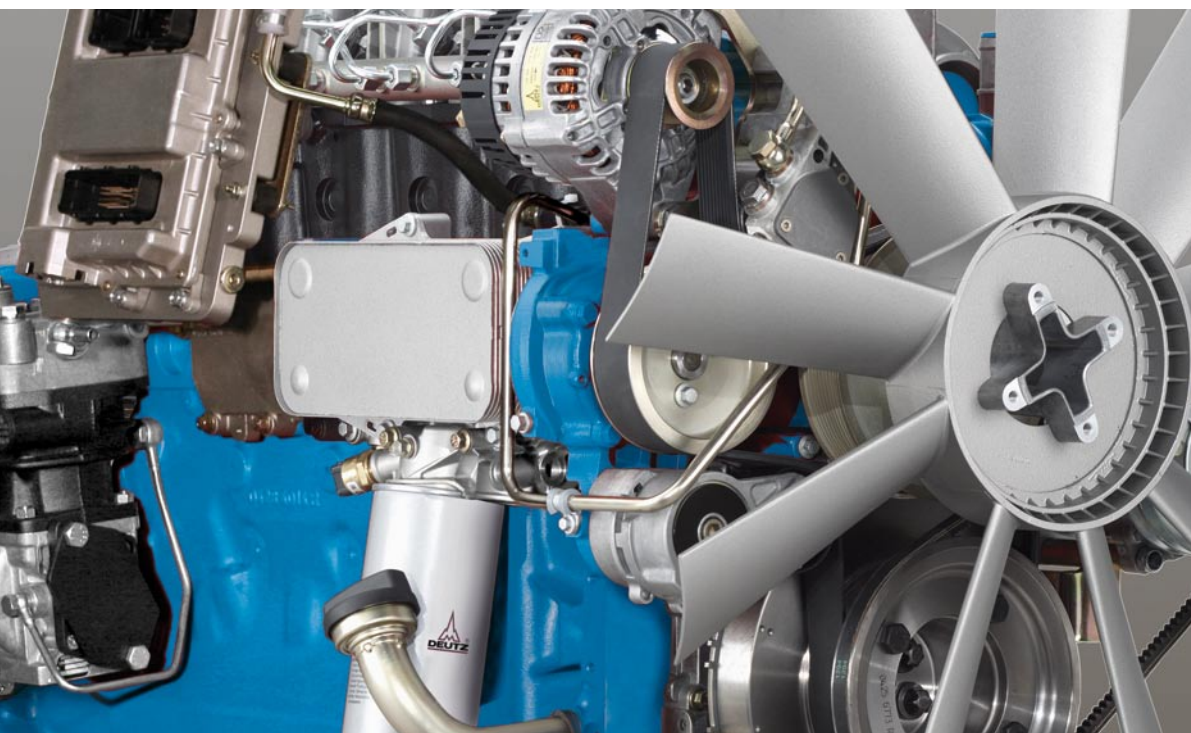
	Cab: Elastically supported, infinitely variable hydraulically height-adjustable with max. eye-level of 5.3 m. Sound-deadened, heat-insulated panoramic windows for optimum all-around view, windshield with pull-down sunblind that slides under cab roof, visibility panel in cab roof, sliding window in cab door, steering column height and tilt adjustable.
HEATING	Infinitely variable hot water heating with 3-speed fan, 4 adjustable defroster nozzles
OPERATOR'S SEAT	Air-cushioned comfort-seat with integrated headrest, safety belt and lumbar support, seat heating optional. Seat position, seat inclination and seat cushion multi-adjustable in line with position of armrests and pilot control units, allowing fatigue-free operation.
MONITORING	Ergonomic instrument layout, glare-free. Function monitoring; automatic warning and storage of deviating operating conditions, e.g. filter pressure w. warning indicator and shutdown of pilot controls, warning indicator or shutdown of pilot controls when exceeding hydraulic oil temperature limits.
AIR CONDITIONING	Automatic
ACOUSTIC POWER LEVEL	(guaranteed) in accordance with guideline 2000/14 EG $L_{WA} = 102 \text{ dB(A)}$

SAFETY INSTALLATIONS

	For crane operations in accordance with EN 474-5.
	Cab protection by close proximity range limiter.


OFFICIAL HOMOLOGATION


	Certification according to CE regulations.
--	--





EQUIPMENT MHL335




 ENGINE	SERIES	OPTION
Turbocharger	●	
Intercooling	●	
Direct electronic fuel injection/ Common Rail	●	
Automatic idle	●	
Engine pre-heating		●
Interface for engine diagnosis	●	
Temperature-controlled fan drive	●	

 UNDERCARRIAGE	SERIES	OPTION
2-speed power-shift transmission	●	
4-pt. stabilizers	●	
4-pt. stabilizers, individually controllable		●
Stabilizer cylinders with integrated two-way check valves	●	
All-wheel drive	●	
Piston rod protection on the stabilizer cylinders	●	
Stabilizer plates 500 x 350	●	
Rear axle oscillating lock	●	
Dozer blade in addition to 4-pt. stabilizers		●
Special paint		●
Drum brakes	●	
Tool box	●	

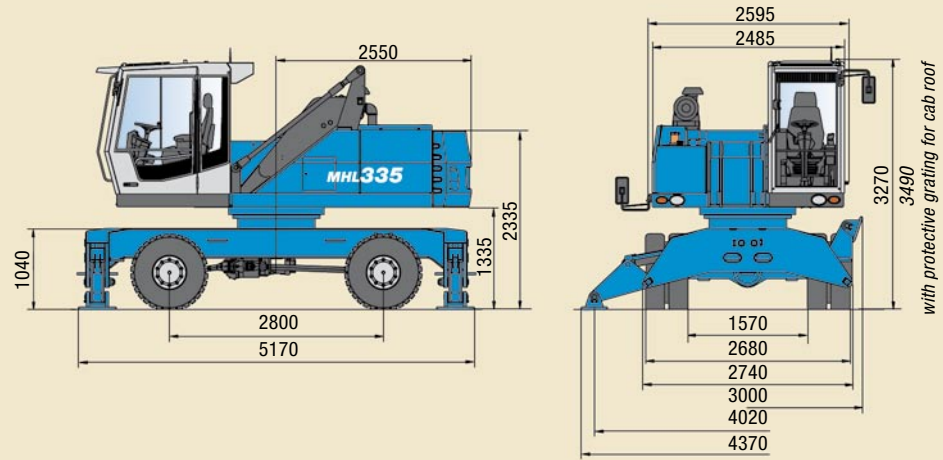
 UPPER CARRIAGE	SERIES	OPTION
Electrical refuelling pump		●
Lighting protection		●
Maintenance hood, actuated by gas strut, with mechanical locking device	●	
Lockable cleaning access openings on radiator	●	
Separate radiator system for ambient temperatures up to 50° C	●	
Separate oil cooler with temperature- controlled fan drive	●	
Automatic central lubrication system	●	
Reversing device		●
Special paint		●
Quick-drain valve for fuel tank (delivered in tool box)	●	
Quick-drain valve on hydraulic oil tank	●	
Quick-drain valve on radiator	●	
Quick-drain valve on engine oil-pan	●	
Reversible fan for radiator and hydraulic oil cooler		●

 CAB	SERIES	OPTION
Lift-up skylight in cab roof	●	
Air-cushioned operator's seat with headrest, safety belt and lumbar support	●	
FOPS protective grating		●
Front/roof protective grating		●
Hinged front windshield	●	
Front windows break-resistant (LEXAN)		●
Bullet-proof safety glass, front and top		●
Cab elevation system, height-adjustable	●	
Air conditioning	●	
Steering column, height and tilt adjustable	●	
Multi-function display	●	
Fire extinguisher, dry powder		●
Preparation for radio		●
Cassette radio		●
Radio and CD player		●
Rotating beacon		●
Sliding window in cab door	●	
Safety glass	●	
Seat heating with integrated a/c function		●
Engine-independent heating		●
Windscreen washer system	●	
Dust protection system		●
Pressurized cabin system		●

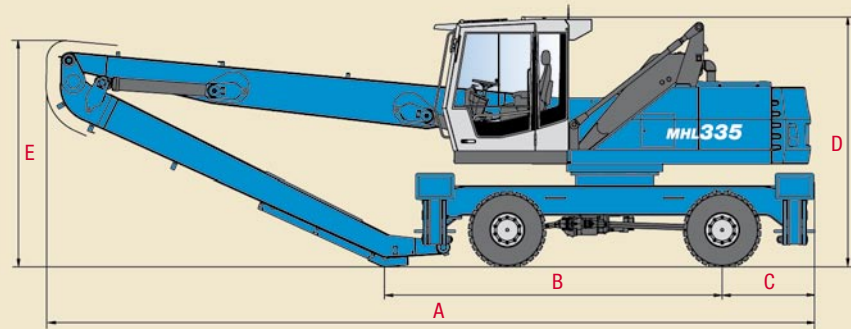
 EQUIPMENT	SERIES	OPTION
Working floodlight on cab floor	●	
Working floodlight on upper carriage	●	
Floodlight, stick mounted		●
Hydraulic oil preheating		●
Close proximity range limiter for stick	●	
Coolant and hydraulic oil level monitoring system	●	
Hose rupture protection for lift cylinder		●
Hose rupture protection for stick cylinder		●
Dipperstick shock protection	●	
Lubrication of the grab suspension by central lubrication system	●	
Overload protection/ shutdown		●
XENON floodlight on stick		●
XENON floodlight on superstructure		●
XENON floodlight on cab roof		●
Quick-connect coupling on stick	●	
Filter system for attachments		●

DIMENSIONS

MHL335



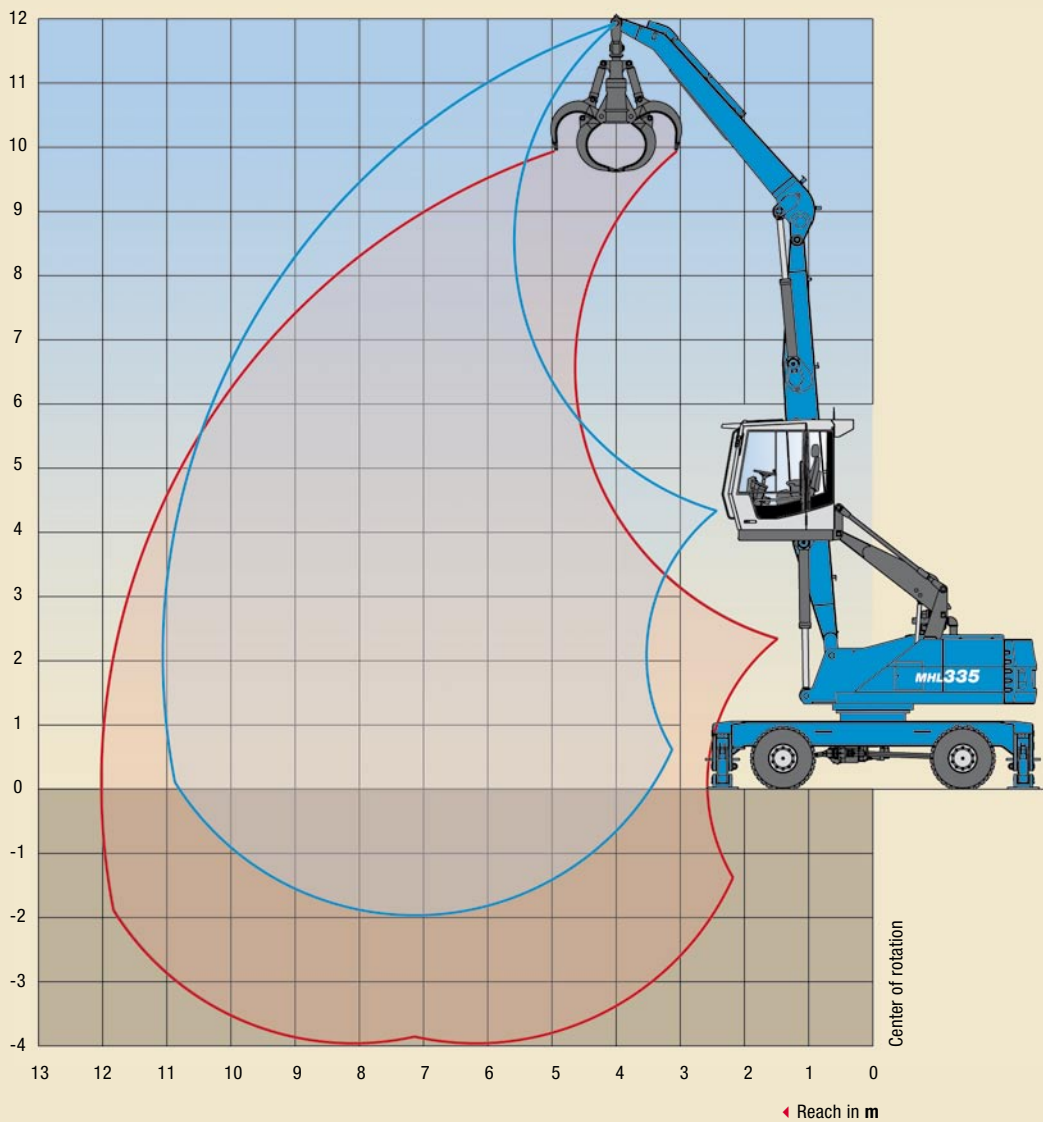
MHL335 Transport dimensions



DIMENSIONS	REACH 10.7 m (MULTI-PURPOSE STICK)	REACH 11.0 m	REACH 12.0 m
A	10.100 mm	10.000 mm	10.000 mm
B	5.350 mm	5.500 mm	4.400 mm
C	1.185 mm	1.185 mm	1.185 mm
D	3.250 mm / *3.470 mm	3.270 mm / *3.490 mm	3.270 mm / *3.490 mm
E	2.780 mm	2.700 mm	3.000 mm

* with protective grating for cab roof

WORKING RANGES/LIFTING CAPACITIES MHL335



**Reach 11 m
with stick**

Work equipment:
Box-type boom 6.5 m;
Stick 4.4 m;
Cactus grab

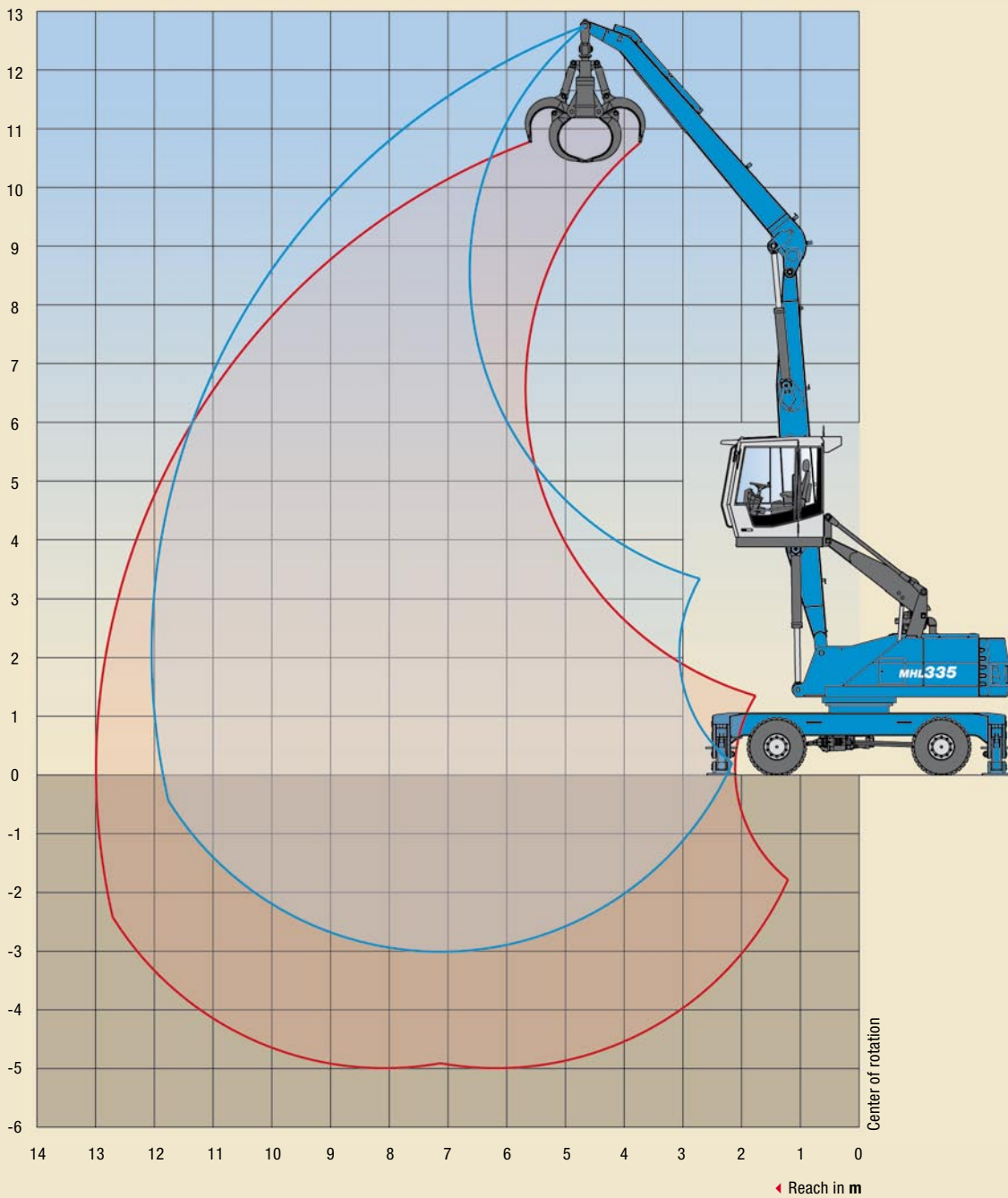
HEIGHT m	UNDERCARRIAGE STABILIZERS	REACHES m				
		4.5	6	7.5	9	10.5
10.5	non supported		(5.7*)			
	4-pt. supported		5.7* (5.7*)			
9	non supported		(6.3)	(4.4)		
	4-pt. supported		6.3* (6.3*)	5.7* (5.7*)		
7.5	non supported		(6.2)	(4.4)	(3.2)	
	4-pt. supported		6.4* (6.4*)	5.8* (5.8*)	5.0 (5.0*)	
6	non supported		(6.1)	(4.3)	(3.2)	
	4-pt. supported		6.8* (6.8*)	6.0* (6.0*)	4.9 (5.5*)	
4.5	non supported	(9.1)	(5.8)	(4.1)	(3.1)	(2.4)
	4-pt. supported	9.7* (9.7*)	7.6* (7.6*)	6.4* (6.4*)	4.8 (5.6*)	3.8 (4.6*)
3	non supported	(8.3)	(5.4)	(3.9)	(3.0)	(2.4)
	4-pt. supported	11.8* (11.8*)	8.6* (8.6*)	6.2 (6.9*)	4.7 (5.9*)	3.8 (4.7)
1.5	non supported	(7.7)	(5.1)	(3.8)	(2.9)	(2.4)
	4-pt. supported	9.7* (9.7*)	8.4 (9.4*)	6.0 (7.4*)	4.6 (5.8)	3.7 (4.6)
0	non supported	(6.9*)	(4.9)	(3.6)	(2.9)	(2.3)
	4-pt. supported	6.9* (6.9*)	8.2 (9.8*)	5.9 (7.5)	4.6 (5.7)	3.7 (4.6)
-1.5	non supported		(4.8)	(3.6)	(2.8)	
	4-pt. supported		8.1 (9.5*)	5.8 (7.4*)	4.5 (5.7)	

RECOMMENDED ATTACHMENTS

LIFT HOOKS	10 t
TEREX® FUCHS CACTUS GRAB 0.4 m³	Open or half-closed shells
TEREX® FUCHS CACTUS GRAB 0.6 m³	Open or half-closed shells
TEREX® FUCHS CACTUS GRAB 0.8 m³	Open or half-closed shells
GRAB FOR LIGHTWEIGHT MATERIALS 1.2 m³	Loose goods density up to 1400 kg/m³
MAGNET SYSTEM	Terex® Fuchs magnetic plate

Capacity values are stated in metric tons (t). The pump pressure is 360 bar (5221 psi). The values, in accordance with ISO 10567, amount to 75% of the static tipping load or 87% of the hydraulic lifting force (marked *). They apply to slewing operations through 360° on a firm and level surface. Values in brackets apply to the longitudinal direction of the undercarriage. "Non-supported" values only apply when the load is hoisted above the front or rear axle. The weight of the attached hoisting equipment (grab, magnet, load hook) must be deducted from the capacity values. In accordance with CE guidelines, hose-rupture safety valves on the lift cylinders and an overload warning device are required for crane operations.

WORKING RANGES/LIFTING CAPACITIES MHL335



**Reach 12 m
with stick**

Work equipment:
Box-type boom 6.5 m;
Stick 5.45 m;
Cactus grab

HEIGHT m	UNDERCARRIAGE STABILIZERS	REACHES m					
		4.5	6	7.5	9	10.5	12
10.5	non supported			(4.4*)			
	4-pt. supported			4.4* (4.4*)			
9	non supported			(4.5)	(3.3)		
	4-pt. supported			5.1* (5.1*)	4.1* (4.1*)		
7.5	non supported			(4.5)	(3.3)	(2.5)	
	4-pt. supported			5.1* (5.1*)	4.8* (4.8*)	3.2* (3.2*)	
6	non supported			(4.4)	(3.3)	(2.5)	
	4-pt. supported			5.4* (5.4*)	5.0* (5.0*)	3.9 (4.4*)	
4.5	non supported		(6.0)	(4.2)	(3.2)	(2.5)	
	4-pt. supported		6.7* (6.7*)	5.8* (5.8*)	4.9 (5.2*)	3.9 (4.7*)	
3	non supported	(8.8)	(5.7)	(4.0)	(3.1)	(2.4)	(1.9)
	4-pt. supported	10.1* (10.1*)	7.7* (7.7*)	6.3* (6.4*)	4.8 (5.5*)	3.8 (4.7)	2.9* (2.9*)
1.5	non supported	(8.0)	(5.3)	(3.8)	(2.9)	(2.3)	(1.9)
	4-pt. supported	12.3* (12.3*)	8.6 (8.8*)	6.1 (6.9*)	4.7 (5.8*)	3.7 (4.6)	3.1* (3.1*)
0	non supported	(7.5)	(5.0)	(3.7)	(2.8)	(2.3)	
	4-pt. supported	9.0* (9.0*)	8.3 (9.5*)	5.9 (7.3*)	4.6 (5.7)	3.7 (4.6)	
-1.5	non supported	(7.2)	(4.8)	(3.5)	(2.8)	(2.3)	
	4-pt. supported	7.4* (7.4*)	8.1 (9.6*)	5.8 (7.4*)	4.5 (5.6)	3.6 (4.5)	
-3	non supported			(3.5)			
	4-pt. supported			5.8 (7.1*)			

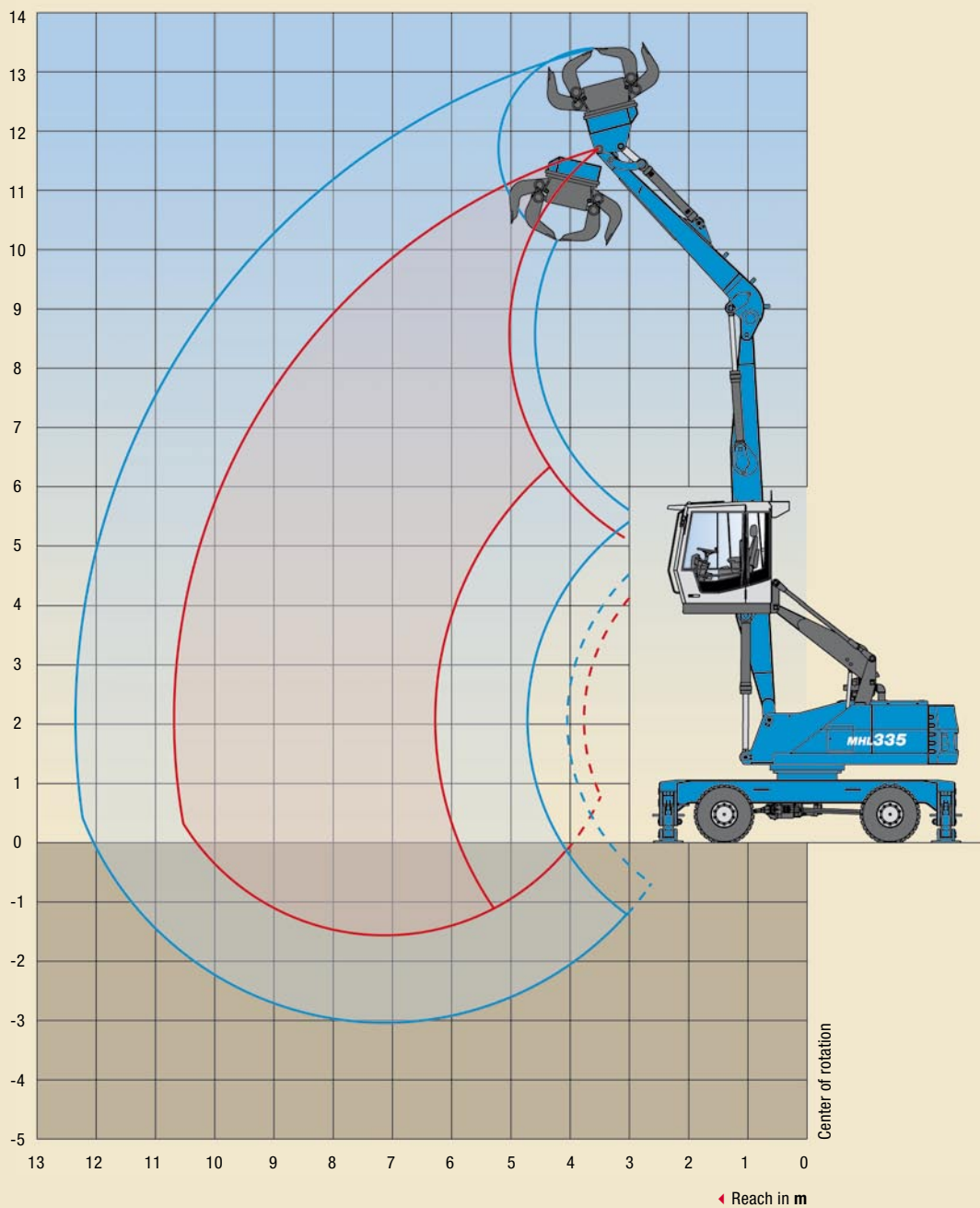
RECOMMENDED ATTACHMENTS	
LIFT HOOKS	10 t
TEREX® FUCHS CACTUS GRAB 0.4 m³	Open or half-closed shells
TEREX® FUCHS CACTUS GRAB 0.6 m³	Open or half-closed shells
GRAB FOR LIGHTWEIGHT MATERIALS 1.0 m³	Loose goods density up to 1400 kg/m³
MAGNET SYSTEM	Terex® Fuchs magnetic plate

Capacity values are stated in metric tons (t). The pump pressure is 360 bar (5221 psi). The values, in accordance with ISO 10567, amount to 75% of the static tipping load or 87% of the hydraulic lifting force (marked *). They apply to slewing operations through 360° on a firm and level surface. Values in brackets apply to the longitudinal direction of the undercarriage. "Non-supported" values only apply when the load is hoisted above the front or rear axle. The weight of the attached hoisting equipment (grab, magnet, load hook) must be deducted from the capacity values. In accordance with CE guidelines, hose-rupture safety valves on the lift cylinders and an overload warning device are required for crane operations.

WORKING RANGES/LIFTING CAPACITIES MHL335

**Reach 10.7 m
with multi-purpose
stick**

Work equipment:
Box-type boom 6.5 m;
Stick 4.0 m;
Sorting grab



HEIGHT m	UNDERCARRIAGE STABILIZERS	REACHES m				
		4.5	6	7.5	9	10.5
10.5	non supported		(5.0*)			
	4-pt. supported		5.0* (5.0*)			
9	non supported		(6.0)	(4.1)		
	4-pt. supported		6.4* (6.4*)	5.1* (5.1*)		
7.5	non supported		(5.9)	(4.1)	(2.9)	
	4-pt. supported		6.4* (6.4*)	5.8* (5.8*)	4.1* (4.1*)	
6	non supported	(8.3*)	(5.8)	(4.0)	(2.9)	
	4-pt. supported	8.3* (8.3*)	6.9* (6.9*)	5.9* (5.9*)	4.7 (5.8*)	
4.5	non supported	(8.6)	(5.5)	(3.8)	(2.9)	
	4-pt. supported	10.0* (10.0*)	7.6* (7.6*)	6.1 (6.3*)	4.6 (5.5*)	
3	non supported	(7.9)	(5.1)	(3.7)	(2.8)	(2.2)
	4-pt. supported	12.0* (12.0*)	8.5 (8.5*)	5.9 (6.8*)	4.5 (5.7)	3.5 (4.4)
1.5	non supported	(7.3)	(4.8)	(3.5)	(2.7)	(2.1)
	4-pt. supported	7.4* (7.4*)	8.1 (9.2*)	5.8 (7.1*)	4.4 (5.6)	3.5 (4.4)
0	non supported	(6.3*)	(4.6)	(3.4)	(2.6)	
	4-pt. supported	6.3* (6.3,*)	7.9 (9.4)	5.6 (7.2)	4.3 (5.5)	
-1.5	non supported			(3.3)		
	4-pt. supported			5.6 (6.9*)		

Capacity values are stated in metric tons (t). The pump pressure is 360 bar (5221 psi). The values, in accordance with ISO 10567, amount to 75% of the static tipping load or 87% of the hydraulic lifting force (marked *). They apply to slewing operations through 360° on a firm and level surface. Values in brackets apply to the longitudinal direction of the undercarriage. "Non-supported" values only apply when the load is hoisted above the front or rear axle. The weight of the attached hoisting equipment (grab, magnet, load hook) must be deducted from the capacity values. In accordance with CE guidelines, hose-rupture safety valves on the lift cylinders and an overload warning device are required for crane operations.

**PURPOSE
BUILT**



DO MORE FASTER

MHL335.

**More range. More capacity.
More speed.**

In the recycling business, manoeuvring sometimes heavy loads without restriction on the radius of action calls for the mobile loading machine MHL335. The particularly robust undercarriage, with larger stabilizer cylinders and a stabilizer base of 5.1 x 4.3 m provides stability when loads of several tons need to be moved with a reach of up to 12 metres. In such situations it is essential that neither speed nor precision is compromised; the slewing motor and slewing gear are designed with this in mind and the lift

and stick cylinders are fitted with special end-cushioning.

The MHL335 incorporates the most up-to-date drive and cooling technology. The separate cooling systems, consisting of a hydrostatically driven fan for the oil cooler and a visco-clutch driven fan for liquid intercooling, combine excellent cooling power with quiet performance, enabling the machine to be used at ambient temperatures of up to 50°C. Optional features are available for use in sorting sheds; these include smoke particle filters and a sealed cab with pressurized cabin system.

Ergonomics and safety are also high on the Terex® Fuchs list of priorities. The convenient and informative colour display enables all important operating data to be taken in at a glance, and the height-adjustable cab with its large panoramic windows provides excellent all-round visibility. Ergonomically arranged controls and a back-friendly comfort seat are among the standard fittings.